



EMS PHYSIO LTD

Treatment Couches instruction manual

Model Numbers: COU001, COU002, COU003, COU004, COU007, COU008, COU009, COU010, COU011

EMS PHYSIO LTD

General care and maintenance

Guarantee period

EMS PHYSIO Ltd treatment couches have a FIVE-YEAR UNCONDITIONAL GUARANTEE on hydraulic and electric components and a LIFETIME GUARANTEE on the framework. This guarantee does not need to be registered as all the information needed is carried on the serial number. The only exclusion to the guarantee is for negligent damage or damage to upholstery coverings.

Safety

All electric models fully comply with international electrical safety standards.

Quality

EMS PHYSIO Ltd is an ISO13485 certified company.

Electricity at Work Act 1989

Where applicable, the Electricity at Work Act 1989 requires electrical equipment used in the workplace to undergo both earth bonding and insulation resistance tests at a period of 12 to 24 months. All couches supplied or serviced by EMS PHYSIO Ltd are tested to these standards.

Maximum Operating Load

Maximum working load can vary depending on the circumstances and we would suggest that you contact us for advice on specific cases. However, a suggested guideline for standard couches under normal operating conditions is 250kg (39 stones) evenly distributed across the couch. The exception to this would be any couch designed to take heavier patients, eg the Bariatric couch (COU11) designed to lift 320kg (50 stones).

EMS PHYSIO LTD

General care and maintenance

Minor operations or shortwave therapy

If using surgical diathermy or any type of shortwave therapy please keep diathermy leads clear of the couch motors and switches as diathermy may interfere with other electrical apparatus.

Maintenance of your couch

EMS PHYSIO Ltd couches are designed to be maintenance free, but a little bit of lubrication every 6 months or so will reduce the likelihood of your couch creaking or juddering when being raised or lowered.

Using a good quality lubricant, like 3 in 1 oil or spray grease, lubricate the 6 pivot points on the side arms, the pivot points on either end of the motor, the hinge on the backrest and the retractable castors (or wheels).

Cleaning your couch

Keeping your couch clean will assist in prolonging its working life. With hydraulically operated models regular cleaning of the stainless-steel ram (e.g., by using a soft cloth) prevents dust from wearing the seal. For all other parts wipe down using a damp cloth and warm soapy water.

The use of solvents, abrasives, synthetic detergents, wax polishes, leather cleaner or aerosol spray is not recommended. It is recommended that if oils are likely to be used that the upholstery is covered with either paper towelling or a couch cover. Wipe clean regularly with a microfiber cloth and warm soapy water to remove dust particles and light soiling. If spillages occur, remove promptly with an absorbent dry cloth. Where disinfection is necessary, bleach based disinfectants such as Chlor-Clean, Haz-Tab, Milton and Tristel are safe to use with a damp cloth, following the manufacturers' instructions. When using bleach, a 5% solution is acceptable (50,000ppm).

Follow the above with a clean water rinse and dry with a soft cloth or towel. For heavy or ingrained soiling follow the cleaning steps as detailed above, then scrub the affected area using a soft brush and warm soapy water, followed by a clean water rinse and dry.

Using cleaning products contrary to these instructions may compromise the integrity of the fabric. Unsuitable cleaning products will remove the lacquer layer which protects the vinyl fabric and result in hardening and/or cracking of the fabric

Extended Guarantee / Maintenance Contracts

EMS PHYSIO Ltd can offer an extended guarantee on all their products as well as service and preventative maintenance contracts. Please contact us for more details.

EMS PHYSIO LTD

Hydraulic Variable Height Models COU001, COU003, COU005, COU008



To RAISE Plinth: Pump lever.
Stop pumping when required height is reached.



To LOWER Plinth: Lift lever.
Release lever when required height is reached.

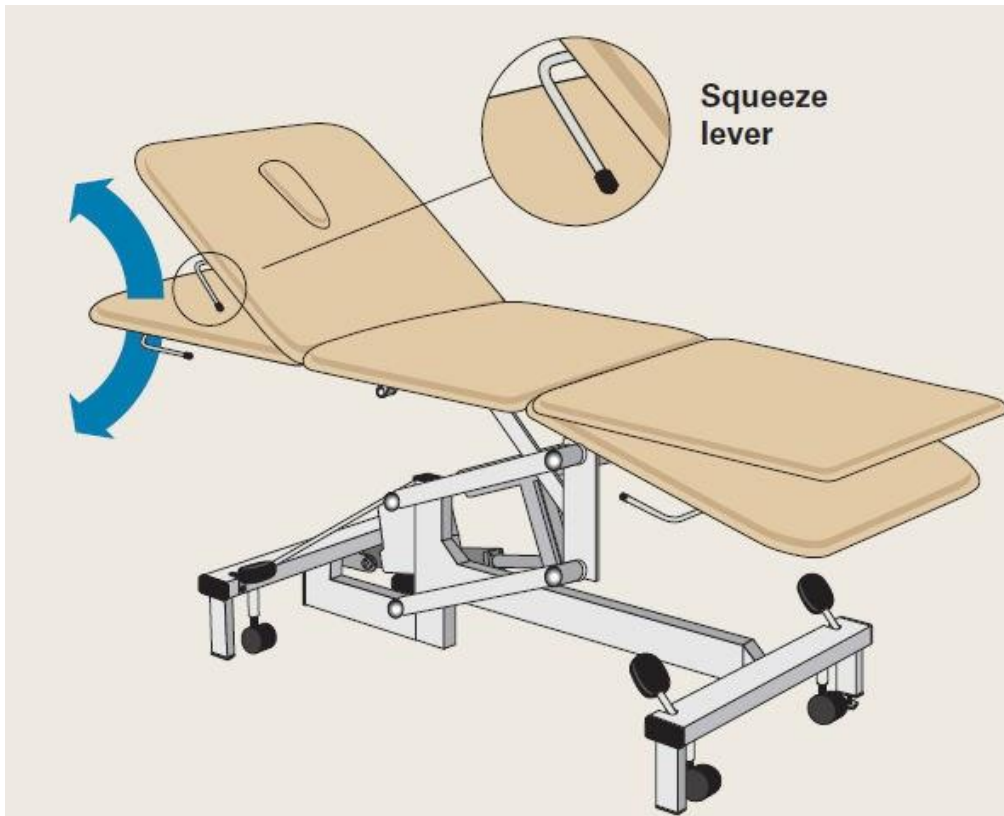
EMS PHYSIO LTD

Electric Variable Height Models COU002, COU004, COU006, COU008, COU009, COU010, COU011



EMS PHYSIO LTD

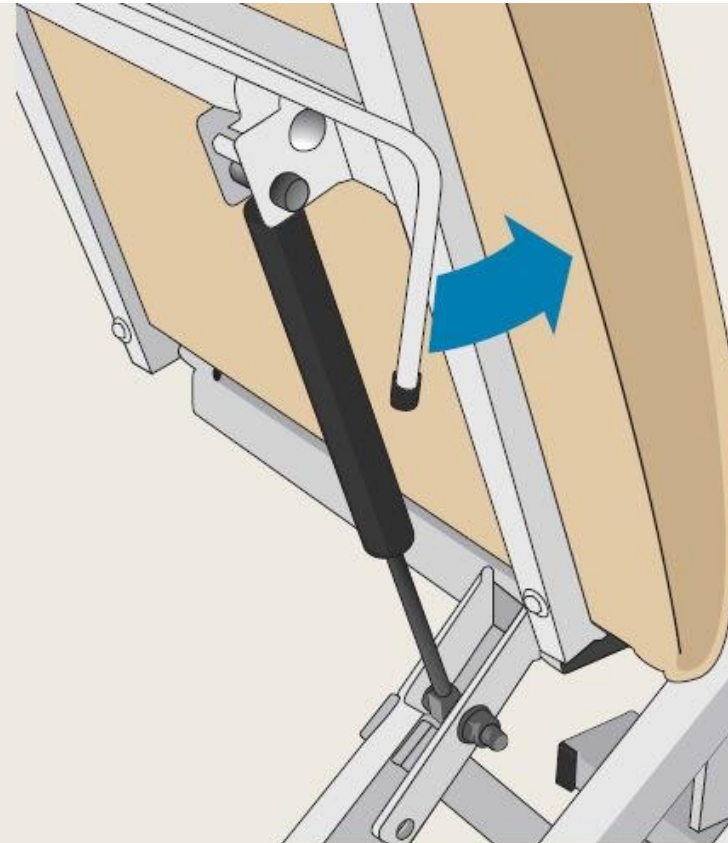
Manual back rest



To RAISE: Lift backrest to required position.

To LOWER: Slightly raise the section supporting it with your hand whilst squeezing the handle towards the upholstery. Lower and release handle in desired position.

Gas spring back rest



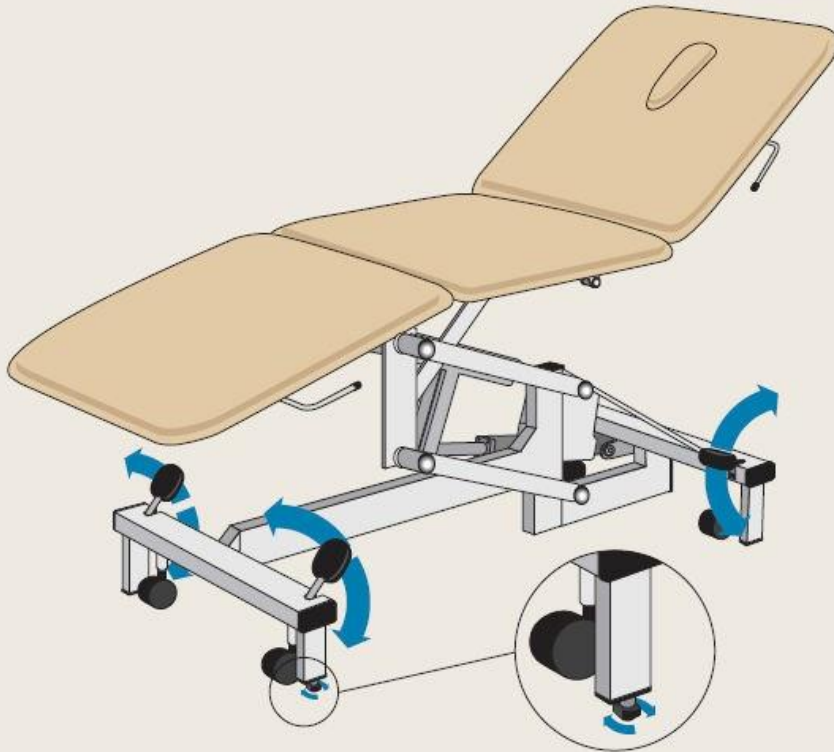
To RAISE: Squeeze the handle towards the upholstery. Lift the section and release handle in desired position.

To LOWER: Squeeze the handle towards the upholstery. Lower the section (you will notice that the gas spring will provide resistance) and release handle in desired position.

EMS PHYSIO LTD

Wheels & Couch

Stability control

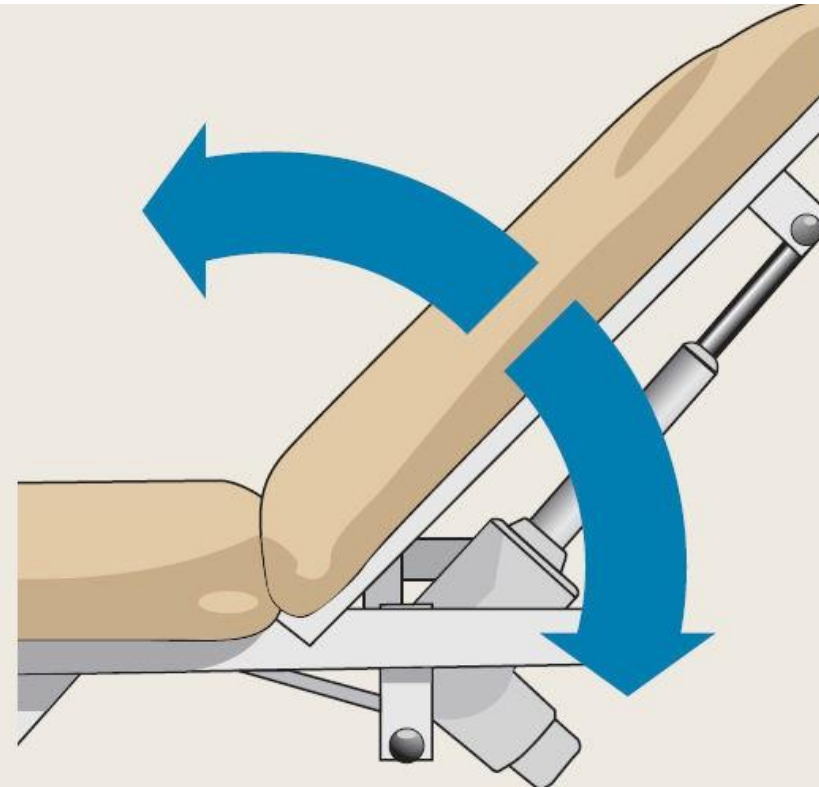


Depress pedals at both ends for mobility Lift pedals to retract wheels.

Levelling Foot: One foot is adjustable by screwing it up or down. With the wheels retracted, adjust so that both feet are in firm contact with the floor and wind the lock nut provided against the foot of the bed to secure in position.

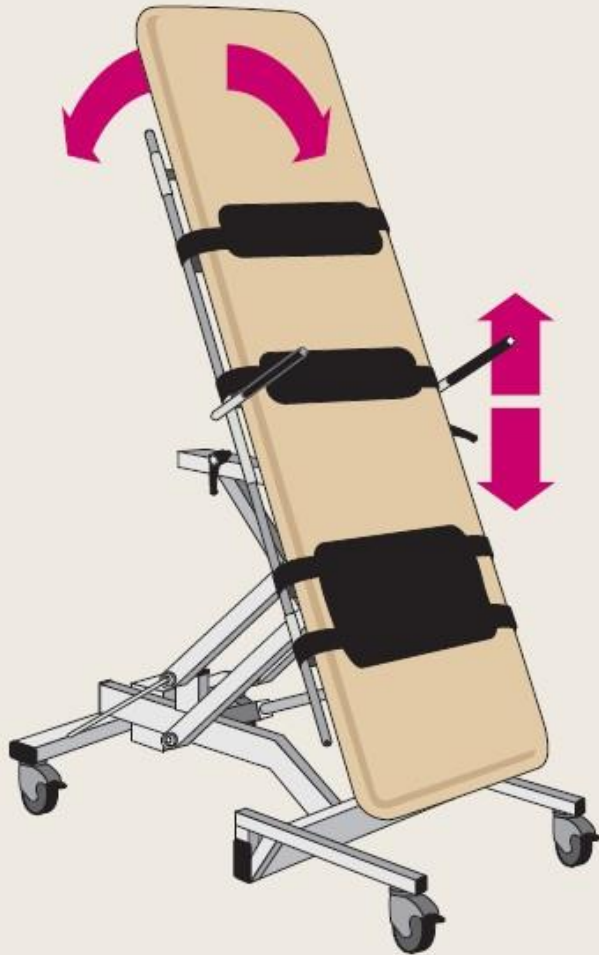
Electric back rest

Electric tilt models



These models have additional motors to operate backrest and or trendelenburg tilting functions.

To operate, simply press the appropriate button on the hand or footswitch until the desired position is reached and release the button.



Height and tilt control

The tilt table is provided with a four button switch to permit control of height and tilt.

We recommend initially that the table is raised to its full height before tilting.

Take care to keep the foot board from hitting the floor. When fully upright, you may then reduce the height a little to place the foot board on the floor for extra stability.

The tilt table has toe brakes on all wheels.

Fitting of Tilt Table Harnesses

Disengage velcro harnesses from one side of the table and place patient on the platform.

Then re-attach velcro harnesses across chest, abdomen, and legs securing firmly.

EMS PHYSIO LTD

Troubleshooting

In the unlikely event of the couch/chair failing to operate and having carried out the normal practical fault finding steps (see basic fault finding section) please contact our Services Department who will be pleased to assist you:

Tel: +44 (0)1235 772272

Fax: +44 (0)1235 763518

Email: service@emsphysio.co.uk

Please note: Before contacting us, please take a note of the couch/chair serial number which can be found on a blue label attached to the side of the main frame cross member, together with the Type Number on the side of the electric motor or hydraulic pump unit as this will assist us to resolve the problem more quickly.

Basic fault finding

General

Fault	Remedy
Couch/Chair is unstable	Check adjustable foot (see page 5) - if broken, contact the Customer Services Department for replacement (normally free of charge)
Squeaking frame pivot points	All couches/chairs are designed to be self-lubricating. However should your couch/chair become noisy in operation lubrication can be applied. Any general purpose lubricating oil can be used
Wheel pedal will not operate	Check adjustable foot is screwed down far enough to allow wheels to drop

Hydraulic Variable Height Models

Fault	Remedy
Oil leaking from pump (occasional, intermittent)	Very occasionally seen – wipe dry, no further action required
Oil leaking from pump (substantial)	Contact Customer Services
Couch fails to lift to normal height	To expel air in the pump unit, pump up to maximum height and continue pumping for 5-6 strokes
Pump pedal feels 'spongy'	To expel air in the pump unit, pump up to maximum height and continue pumping for 5-6 strokes

Electric Motor Driven Variable Height Models

Fault	Remedy
Motor will not function	Check it's plugged in and switched on
Motor will not function	Check cables and plugs are securely connected and there are no breaks in the cables
Motor will not function	Check fuse and mains supply socket
Handswitch or Footswitch fails to operate	Unplug, reinsert plug firmly
Handswitch or Footswitch fails to operate	If possible substitute another identical Handswitch or Footswitch that is known to function correctly

EMS PHYSIO LTD

Accessories

You may wish to consider purchasing additional accessories from our website or by emailing sales@emsphysio.co.uk



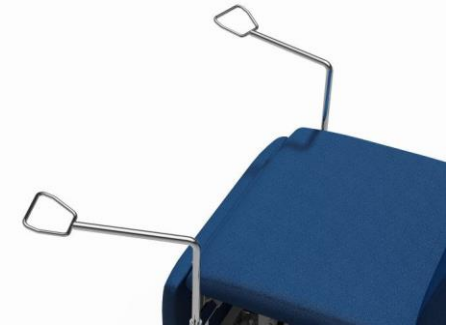
Flexion stool RH094



Paper roll holder RH088



Cot sides RH096



Stirrups RH092

You can request a catalogue from sales@emsphysio.co.uk or visit our website www.emsphysio.co.uk for towelling covers and patient table

Service

Email service@emsphysio.co.uk or call 01235 774168 for a service quotation to maintain the life of your new couch



EMS PHYSIO LTD

Grove Technology Park

Downsview Road

Wantage

Oxfordshire, OX12 9FE

Phone: +44 (0) 1235 772272

Fax: +44 (0) 1235 763518

Email: sales@emsphysio.co.uk

Web: www.emsphysio.co.uk



**Advena Ltd. Tower Business Centre, 2nd Flr.,
Tower Street, Swatar, BKR 4013 Malta**

OMCOU01 April 2022 Issue 5