



This three section model has great strength and rigidity, providing improved patient positioning with adjustable sections at both ends. Ideally suited for busy environments such as outpatients, rehabilitation, GP surgeries, health centres, colleges, universities & various private clinics. The couch is available with a choice of hydraulic or electric height adjustment and features a manually adjustable backrest, for supporting the patient in a sitting position, with an adjustable foot section for supporting the lower limbs. The couch can be positioned with the head section flat or in negative position for prone or supine lying examinations.

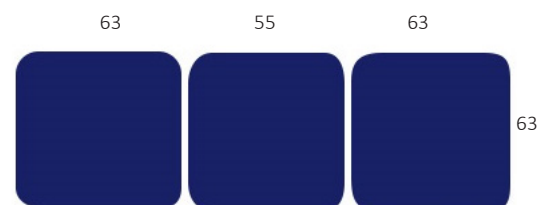
Standard Features

- UK manufactured
- Lifetime frame & 5 year parts guarantee
- 16 year average lifespan
- Safe working load & lift capacity 250kg
- Electric or hydraulic operation
- Low running costs
- Anti-entrapment gas strut
- Hardwearing antimicrobial vinyl
- Retractable wheel base
- Adjustable foot for uneven floors
- Comfort foam
- Easy operation
- Hoist clearance 13cm (5")

Overall Dimensions

Length: 183cm (72") approx
 Width: 63cm (25") approx
 Height: 47cm - 97cm approx

Upholstery Dimensions



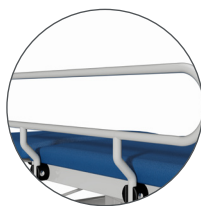
Options & Accessories



Breathing Hole



Paper Roll Holder



Side Security Rails



D Cushion

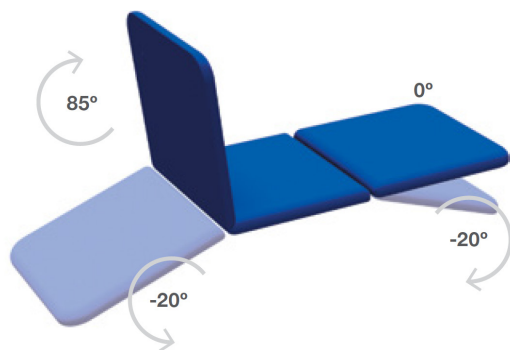


Footswitch



Motorised Backrest

Operational Parameters



EMS Physio Ltd order codes
COU003 Hydraulic with breathing slot
COU004 Electric with breathing slot

Upholstery Vinyl

- Flame retardant to CRIB 5
- Patented anti-microbial technology proven to inhibit the growth of E-Coli and MRSA
- Excellent levels of wear and longevity
- Fully washable and impermeable, to aid infection control
- Suitable for cleaning and disinfecting with dilute solutions of Hypochlorite (10,000ppm)
- Please note; Unless specified Sapphire upholstery will be supplied



Jasmine



Battleship



Cobalt



Cocoa



Grape



Mulled Wine



Pillarbox



Gingersnap



Candy



Applemint



Sapphire



Atlantic Blue



Lupin



Denim



Cool Blue



Rainforest



Wasabi



Citrus Green



Marigold



Almond

For Your Piece of Mind

- Lifetime frame and 5 year parts (accidental damage to upholstery excluded)
- Optional extended warranty to 10 years
- Average life span of 16 years
- Designed and manufactured in-house in the United Kingdom
- CE marked
- Externally audited to ISO9001:2015 by LQRA

Standards

- IP Rating - IPX6
- EE Classification - EU MDR 2017/745 Annex VIII Class 1
- Electrical Standard - IEC 60601-1
- Vinyl flame retardant to CRIB 5 (BS 5852)
- Foam flame retardant to BS 5852: Part 2: 1982, Ignition Source 5 [CRIB 5]

Delivery Promise

- Delivery to UK mainland in just 7-10 working days
- Faster service maybe available if required.

EMS PHYSIO Ltd
Downsview Road
Wantage
Oxfordshire OX12 9FE

t: +44 (0) 1235 772272
f: +44 (0) 1235 763518
e: sales@emsphysio.co.uk
www.emsphysio.co.uk